



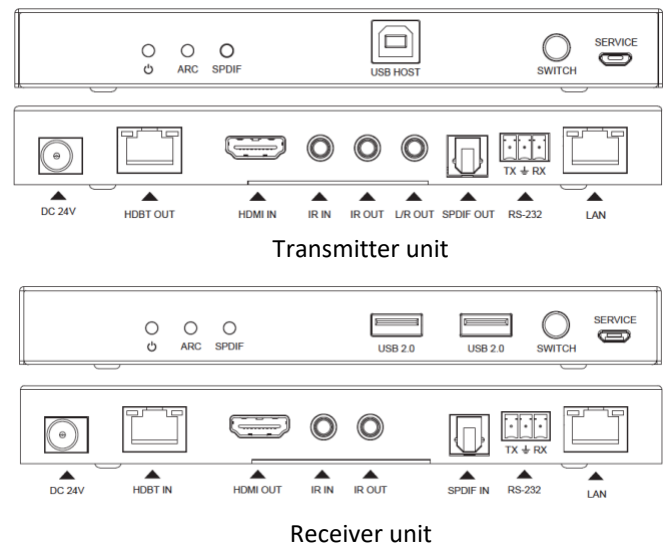
Features and Benefits

- HDCP 2.2 / HDCP 1.4 and DVI 1.0 compliant
- Support 18Gbps video bandwidth over HDBase-T extender, with bi-directional IR
- UHD video resolution is up to 4K2K@60Hz YUV 4:4:4, 4:2:2, and 4:2:0 at 90 meters
- Other supported video resolutions include 1080p60 and PC video up to 1920x1200
- The maximum transmission distance is 328ft / 100 meters via a single CAT6a/7 cable
- The supported HDMI cable lengths are up to 16ft/5 meters for 4K2K video and 50ft/15 meters for 1080p video
- Supports ARC (High Definition Multimedia Interface Audio Return Channel) function for upstream and downstream audio
- Control options include bi-directional IR, CEC pass-through, and RS-232
- Supports USB KVM function
- HDR, HDR10+, Dolby Vision and HLG function supported
- Supports PoC (Power over Cable) function with power supplied from either end
- Compact and easy design for flexible installation.

- ▶ 18Gbps HDMI 2.0 over HDBaseT extender using a single CATx cable up to 330ft (100 meters)
- ▶ Supports resolutions up to 4K2K at 50/60Hz, 4K2K at 30Hz, RGB and 4:4:4 8-bit, 4:2:2 10-bit (HDR) and 4:2:0 10-bit HDR
- ▶ Supports all audio formats for HDMI 1.4 and HDMI 2.0 as well as serial RS-232 and IR (In/Out)
- ▶ ARC (Audio Return Channel) and SPDIF supported
- ▶ LAN port for connection to PC or Laptop

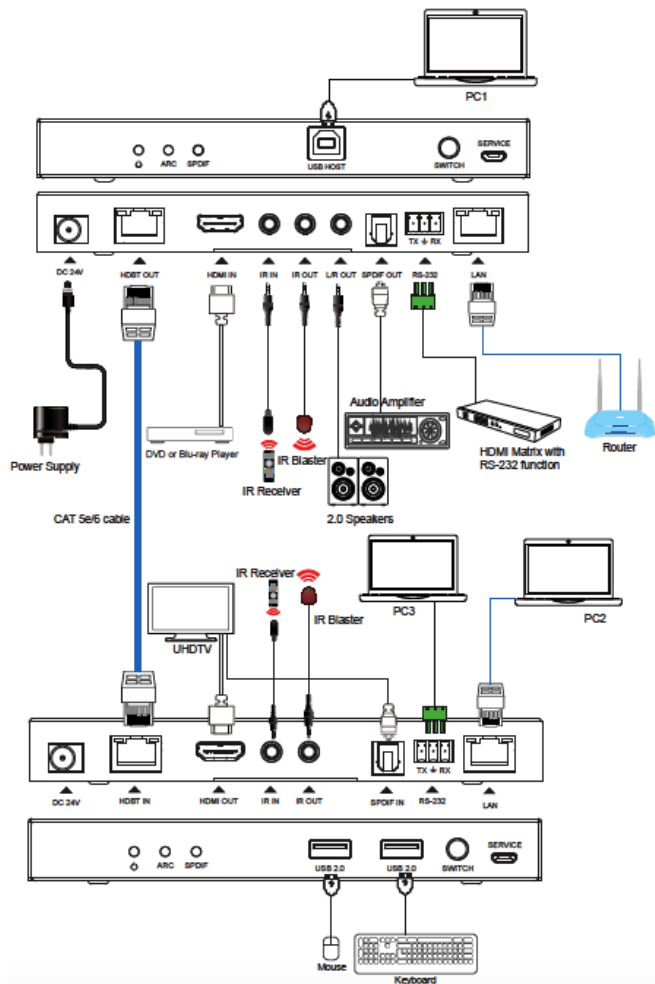
Product Overview

The CrystalView HDBT 18Gbps extender transmits a high definition HDMI video plus audio, RS-232, bi-directional IR, and internet signal at a distance of up to 328ft/100 meters. The transmission is via a single CAT6a/7 cable and the supported resolution is up to 4K2K@60Hz 4:4:4. The transmitter supports the ARC function and local audio extraction. In addition, the extender is equipped with bi-directional IR pass-through which allows for source and display control. It also supports USB 2.0 and USB-HID devices and features a PoC function. The extender offers the most convenient solution for HDMI extension via a single long distance CATx cable and is the perfect solution for any high definition HDMI and KVM application.



Typical Application

This product features all the external interfaces as standard inclusions, so just connect the required devices for quick and easy operation, with no set up configurations required.



POC The CrystalView HDBaseT extender supports PoC power from either end. Simply select the most suitable end to locate the external power supply.

Part numbers

CRK-1DXTUH1-18G	CrystalView HDBT-18G, 18G HDMI Extender Set, USB 2.0, Audio/Ser, Ethernet, CATx, 100m
CAB-HDMIMM006	HDMI extension cable, 6ft, 2m
CAB-HDMIMM010	HDMI extension cable, 6ft, 10m

Specifications

Dimensions (W x D x H)	6.5" x 3.5" x 0.7" 165 x 88 x 18 mm
Power	100-240 VAC 50-60Hz. 24VDC, 1A, 13W Locking connector
Video resolution	4K2K, 50/60Hz, 4:4:4, 4:2:2, 4:2:0 4K2K, 30Hz, 4:4:4 1080p, 1080i, 720p, 720i, 480p, 480i All PC resolutions up to 1920x1200
Video bandwidth	18Gbps
Color space	RGB/YCbCr 4:4:4, YCbCr 4:2:2, YCbCr 4:2:0
Color depth	8/10/12-bit (1080p60Hz, 4K30Hz, 4K60Hz, YCbCr 4:2:2/4:2:0) 8-bit (4K60Hz 4:4:4)
HDMI audio formats	LPCM 2.0/2.1/5.1/6.1/7.1, Dolby Digital, Dolby TrueHD, Dolby Digital Plus(DD+), DTS-ES, DTS HD Master, DTS HD-HRA, DTS-X
L/R audio formats	PCM 2.0
SPDIF audio format	LPCM2.0, Dolby Digital, Dolby Digital Plus, DTS
Resolution/distance	4K2K video: 296ft / 90 meters 1080p video: 328ft / 100 meters
HDMI In/Out cable length	4K60: 16ft / 5 meters 4K30: 30ft / 10 meters 1080p60: 50ft / 15 meters
Transmitter In/Out Connectors	1x HDMI In, Type-A (19-pin female) 1x HDBT Out, RJ45 8-pin female 1x SPDIF Out (S/PDIF) 1x L/R Out, 3.5mm stereo mini jack 1x LAN RJ45
Transmitter controls	1x IR In/1x IR Out, 3.5mm stereo mini jack 1x RS-232 (Phoenix jack) 1x Service (Mini USB update port) 1x USB Type-B host port
Receiver In/Out Connectors	1x HDBT In, RJ45 8-pin female 1x SPDIF In(S/PDIF) 1x HDMI Out, Type-A (19-pin female) 1x LAN RJ45
Receiver controls	1x IR In/1x IR Out, 3.5mm stereo mini jack 1x RS-232 (Phoenix jack) 1x Service (Mini USB update port) 2x USB Type-A host port
Status LED's	Power, ARC, and S/PDIF LED's on the front panel
Environment	Operating temp: 32°F-104°F (0°C -40°C) Storage temp: -20°F -60°F (-4°C-140°C)
Relative humidity	20%-90% non-condensing

WWW.ROSE.COM ▪ **sales@rose.com** ▪ **(800) 333-9343**

Rose Electronics ▪ 10707 Stancliff Road ▪ Houston, Texas 77099
Rose USA (281) 933-7673 ▪ Rose Europe
Rose Asia +65 6324 2322 ▪ Rose Australia +61 (0) 421 247083

datasheet-crystalview-hdbt-18g-2020-07-20 ▪ 2020-08-23

ROSE
ELECTRONICS
WWW.ROSE.COM