





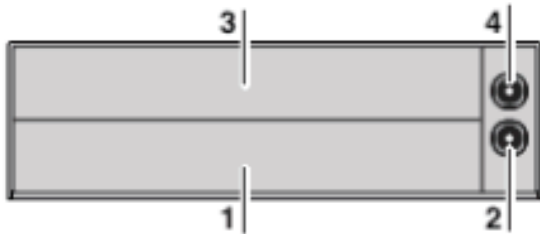


Transmitter Unit

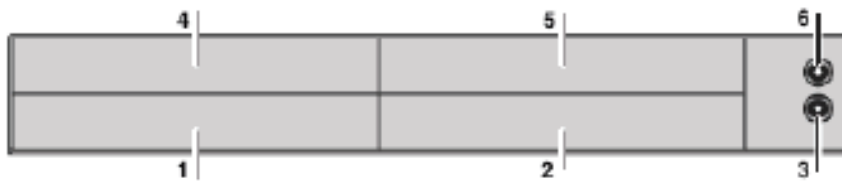
Receiver Unit

 <p>CATx, USB-B, DVI</p>	 <p>CATx, USB-A (2), DVI</p>
 <p>Fiber, USB-B, DVI</p>	 <p>Fiber, USB-A (2), DVI</p>
 <p>Dual CATx, USB-B, DVI</p>	 <p>Dual CATx, USB-A (2), DVI</p>

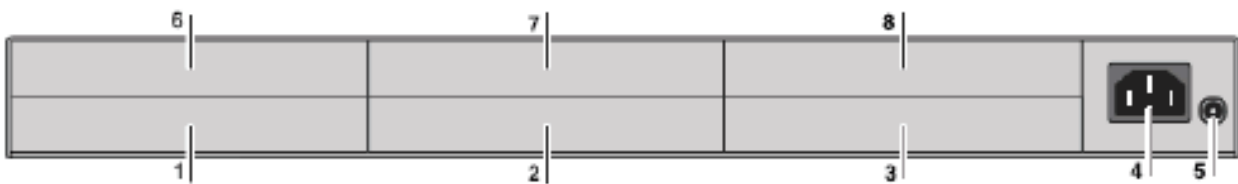
Standard Chassis Configurations



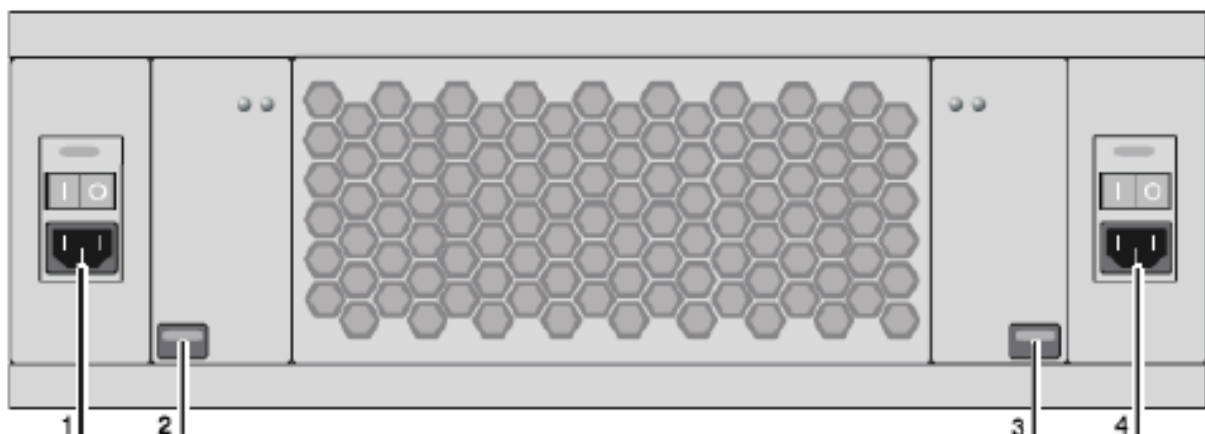
**1/3 = card slots,
2 = +5VDC,
4 = Redundant +5VDC**



1/2/4/5 = card slots. 3 = +5VDC. 6 = Redundant +5VDC



1/2/3/6/7/8 = card slots. 4 = IEC. 5 = +5VDC.



1/4 = IEC power. 2/3 = Locking for power