

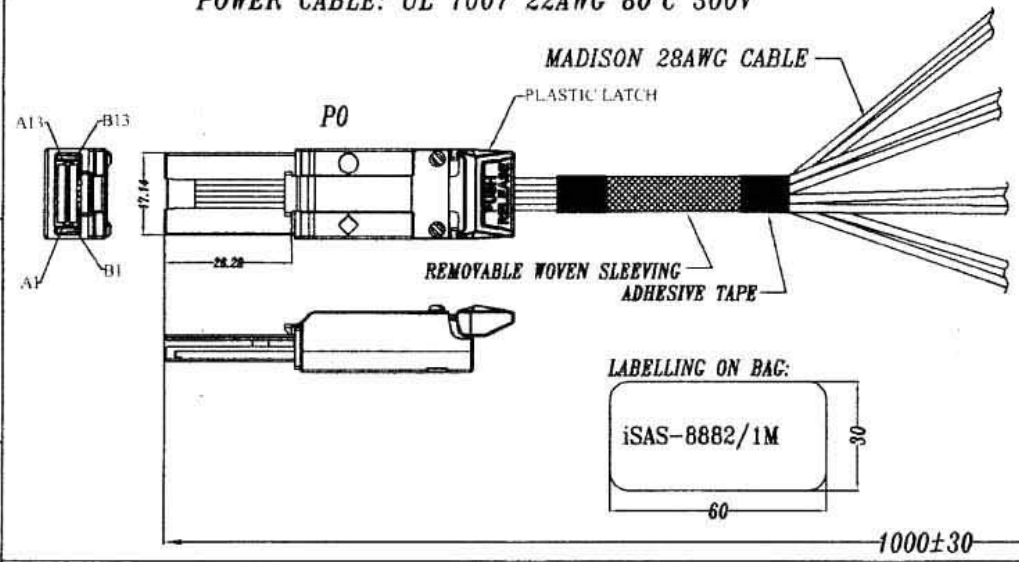
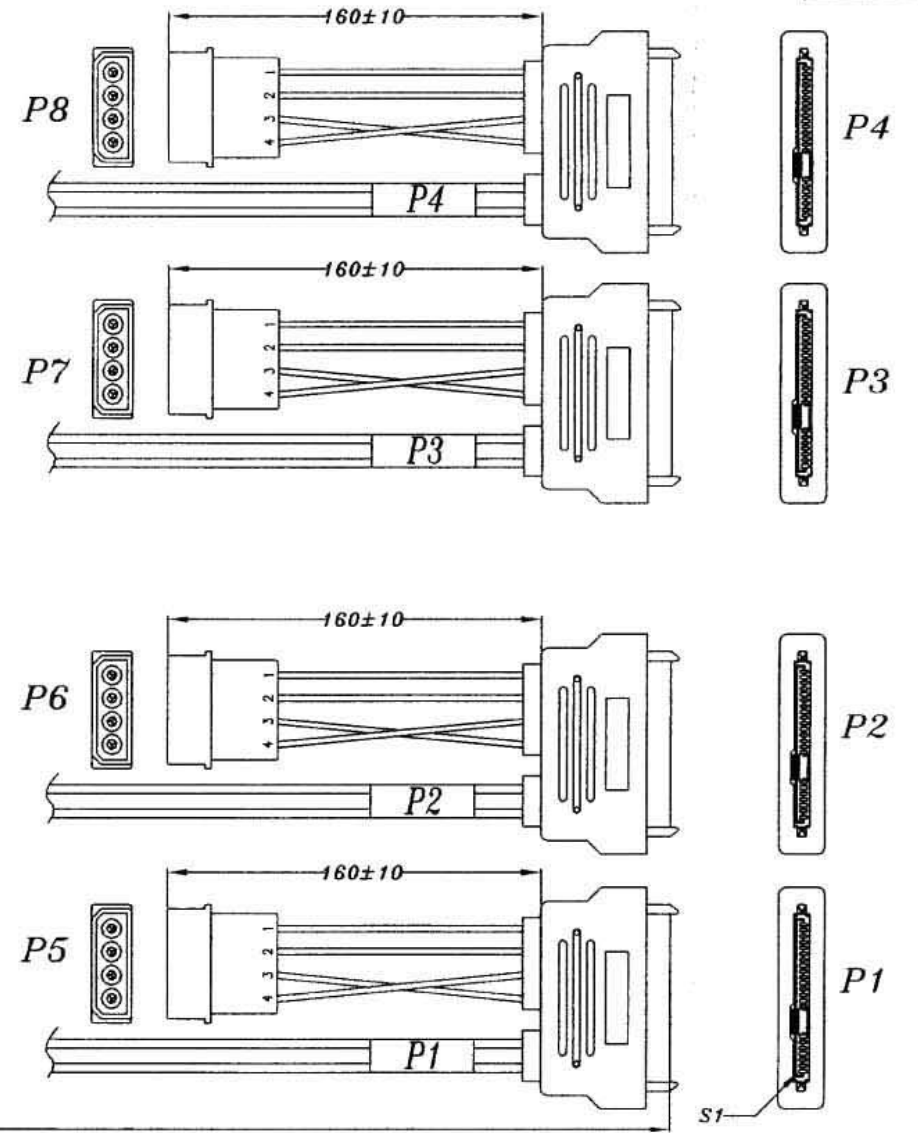
1	2	3	4	5	6	7	8	9
REV.	REMARK	DATE	SIGN.					

RoHS

MATERIAL RoHS COMPLIANT:

CABLE:
 ELECTRICAL:
 IMPEDANCE: 100±5 ohm(DIFFERENTIAL TDR)
 CAPACITANCE: 14pF/ ft NOMINAL
 TIME DELAY: 1.35ns/ ft NOMINAL
 SKEW(WITHIN PAIR): ≤ 120ps/ 7M MAXIMUM
 ATTENUATION (NOMINAL): 10 dB/ 7M MAXIMUM @1.25GHz
 APPROVALS:
 UL AWM VW-1 80°C 30V, RoHS COMPLIANT

CONNECTOR:
 P0: Mini SAS 4x CABLE PLUG - 26CKT CONNECTOR.
 (1) P.C.B: FR4, 4 LAYERS
 (2) LATCH: STAINLESS STEEL
 (3) BACKSHELL- ZINC DIE CASTING HOOD/ NICKEL PLATING
 (4) WITH EXTERNAL UNIVERSAL KEY
 P1~P4 SAS DRIVE CABLE RECEPTACLE
 P5~P8 4PIN POWER MALE CONNECTOR
 POWER CABLE: UL 1007 22AWG 80°C 300V



DESC.	Mini SAS 4x TO 4*SAS drive cable rec. with power cable ass'y	APPROVED	CHECKED	DESIGNED	TOLERANCE	SCALE	1 = 1	UNIT	mm	
P/N	miniSAS-8882-10						DATE	07/31/06	DWG NO.	

F
E
D
C
B
A

F
E
D
C
B
A

1 2 3 4 5 6 7 8 9

1 2 3 4 5 6

REV.	REMARK	DATE	SIGN.
①	REVISED WIRING	08/14/06	KU.

WIRING DIAGRAM

MINI SAS 4X (P0)		SAS DRIVE CABLE REC.			4P POWER PLUG		
PIN	SIGNAL	REC.	PIN	SIGNAL	PLUG	PIN	SIGNAL
A2	RX0+	P1	S6	TP+	P5		
A3	RX0-		S5	TP-			
B3	TX0-		S3	RP-			
B2	TX0+		S2	RP+			
GND GROUP	GND		S1,S4,S7	GND			
			P13,P14,P15	+12V		1	+12V
			P10,11,12	GND		2	GND
		P7,P8,P9	+5V	4	+5V		
		P4,P5,P6	GND	3	GND		
A5	RX1+	P2	S6	TP+	P6		
A6	RX1-		S5	TP-			
B6	TX1-		S3	RP-			
B5	TX1+		S2	RP+			
GND GROUP	GND		S1,S4,S7	GND			
			P13,P14,P15	+12V		1	+12V
			P10,11,12	GND		2	GND
		P7,P8,P9	+5V	4	+5V		
		P4,P5,P6	GND	3	GND		
A8	RX2+	P3	S6	TP+	P7		
A9	RX2-		S5	TP-			
B9	TX2-		S3	RP-			
B8	TX2+		S2	RP+			
GND GROUP	GND		S1,S4,S7	GND			
			P13,P14,P15	+12V		1	+12V
			P10,11,12	GND		2	GND
		P7,P8,P9	+5V	4	+5V		
		P4,P5,P6	GND	3	GND		
A11	RX3+	P4	S6	TP+	P8		
A12	RX3-		S5	TP-			
B12	TX3-		S3	RP-			
B11	TX3+		S2	RP+			
GND GROUP	GND		S1,S4,S7	GND			
			P13,P14,P15	+12V		1	+12V
			P10,11,12	GND		2	GND
		P7,P8,P9	+5V	4	+5V		
		P4,P5,P6	GND	3	GND		

GND GROUP: A1,A4,A7,A10,A13
B1,B4,B7,B10,B13

DESC. Mini SAS 4x TO 4SAS drive cable rec. with power cable ass'y	
P/N	miniSAS-8882-10
APPROVED	CHECKED
DESIGNED	TOLERANCE
SCALE	1 = 1
UNIT	mm
DATE	07/31/06
DWG NO.	

1 2 3 4 5 6