

# CrystalView CAT5 – USB

Twisted Pair KVM Extender



## CAT5 USB KVM extender

Extends USB keyboard, video, USB mouse, serial and audio signals up to 1,000 feet away over CAT5 cable

Supports VGA video at resolutions up to 1600 x 1200

Dual USB access model

Easily adapted to your system

## Features and Benefits

- Supports:
  - VGA video modes
  - USB keyboards and mice
  - Serial
  - Full Stereo Audio
- Extend a USB KVM station from a USB CPU up to 1,000 feet using industry standard CAT5 cable
- Video resolutions up to 1,000 Feet:
  - 1600 x 1200 @ 200 feet
  - 1024 x 768 @ 1,000 feet
- Dual access version
- Automatic sharing between remote and local KVM station
- Compatible with all Rose KVM switches
- Compatible with Windows, Windows NT, UNIX, Linux, Apple, SUN, and other systems
- Fully automatic KVM sharing
- 1U Rackmount kits available in 19", 23", or 24" sizes

## The CrystalView™ CAT5 USB Advantage . .

The CrystalView CAT5 USB is the KVM extender of choice for businesses that need to extend and operate a USB computer, server, or KVM switch from a great distance. The CrystalView CAT5 USB makes this possible by the use of standard CAT5 cable. You can fully operate and control a USB computer or server from as far away as 1,000 feet using standard CAT5 cable.

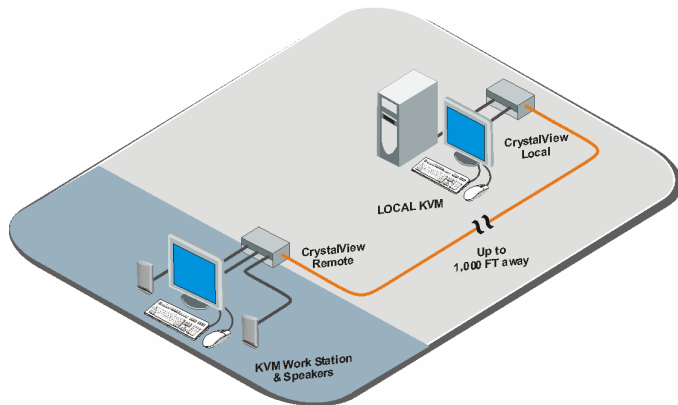
The CrystalView CAT5 USB supports all analog VGA video. The Serial/Audio model allows stereo audio to be transmitted in either direction across the CAT5 link simultaneously. Many serial devices like a Touchscreen can plug directly into the serial port on the Remote Unit. The CrystalView CAT5 USB allows you to position a CPU up to 1,000 feet away from the KVM station using common twisted pair CAT5 cable. Video equalization and gain controls on the remote unit adjust brightness and clarity to compensate for image quality loss over long cable lengths.

Access to your computers is made convenient in a variety of situations. You can locate users away from hazardous industrial environments; locate CPUs away from areas vulnerable to theft of hardware and data; reduce noise and heat; increase desk and floor space. The dual access versions provide for a second KVM station at the local unit giving access to the CPU from either the local or remote unit.



The link uses Standard CAT5 cable

## Typical Application



Access a computer from two locations,  
one is local, the other is 1,000 feet away

**CrystalView CAT5 USB basics** The CrystalView CAT5 USB system consists of a local unit that connects to a USB PC, receiver that connects to a USB keyboard, monitor, and USB mouse or a KVM switch. The local and remote units are connected together with up to 1,000 feet of standard CAT5 cable.

The ideal way to apply the CrystalView CAT5 USB is to connect the local unit to a Rose Electronics KVM switch. Expanding the switch allows the remote unit to access up to 1,000 computers or servers. The Rose KVM switch can be connected between the local unit and computers, the KVM station and the remote unit, or both.

**Models** The CrystalView CAT5 USB is available in a PC model. The dual version allows for a second USB KVM station next to the PCs, providing operation from the local or the remote unit.

**Installation** Installing the CrystalView CAT5 USB units is as easy as connecting the USB KVM station to the remote unit, connecting the CPU to the local unit, connecting the local unit to the remote unit with CAT5 cable and connecting the power adapters to the local (+5V) and remote (+9V) units.

**Keyboard and Mouse** The CrystalView CAT5 USB supports USB keyboards and mice. The local unit connects to the CPU's USB keyboard and mouse ports and the remote unit connects to the USB keyboard and mouse cables.

**Rack mount** The CrystalView CAT5 USB can be mounted in a standard 19" rack using Rose Electronics rack mount kits.

## Part Number

CRK-1USB	Single access – USB
CRK-1USB/AUD	Single access – USB w/audio, serial
CRK-2USB	Dual access – USB
CRK-2USB/AUD	Dual access – USB w/audio, serial
TRF-09D200FSUB	Remote Unit +9V power adapter
TRF-05D120WSUP-3.5	Local Unit +5V power adapter

Note: CRK part numbers consist of a local and remote unit

RM-UMxx Rack mount kits (xx= 19", 23", or 24")

## Specifications

Chassis:	(W)	(D)	(H)
Dimensions	Dual	8.80" x 3.40"	x 1.75"
Weight:	Dual	1.60 lbs	
Type		Electro-galvanized steel Black Powder coated 0.035" thickness	

Video:	
Resolution	1600 x 1200 (200feet) 1280 x 1024 (300 feet) 1024 x 768 (300 – 1,000 feet)
Levels	0.7V p-p
Sync type	Separate/composite TTL level
Support:	Keyboards – USB Video – VGA, SVGA, XGA, RGB Mouse – USB

Connectors:	
Video in	HD15F
Video out	HD15F
Keyboard	USB Type A
Mouse	USB Type A
Computer	USB Type B
CAT5	RJ45F
Interconnect	CAT5 UTP/STP, EIA/TIA 568
Power:	Local – 5V 1,000ma external Remote – 9V 1,000ma external
Environmental:	Temp. 0°C–45°C Humidity 0%–80% non-condensing
Rack mount kit	Available in 19", 23", or 24"
Approvals:	CE



Rearview - CrystalView CAT5 USB KVM extender  
Remote (top) / Local (bottom)



〒103-0014  
東京都中央区日本橋蛸殻町 1-16-11  
TEL:03-3668-8089 FAX:03-3668-9872  
URL: <http://www.cybernetech.co.jp>