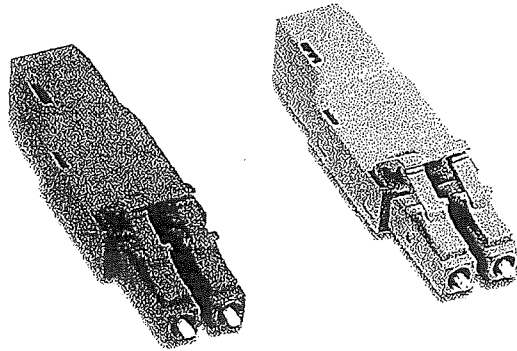


LC (SFF) SMALL FORM FACTOR LOOPBACKS



The Stratos Lightwave LC loopback assemblies provide System Test Engineers a simple but effective way of testing the transmission capability and receiver sensitivity of network equipment. Stratos LC loopbacks feature housings which are compact in size, easy to handle and do not have an external and exposed loop of fiber optic cable typical of most loopbacks. Borrowing features from the copper RJ-45, the Stratos LC loopbacks provide a robust latching mechanism which is pull proof and has outstanding mechanical load performance.

Benefits

- No exposed fiber
- Pull proof design
- Durable
- Audible click when engaged
- Meets EIA/TIA 568A, FOCIS 10 & ISO 11801

Features

- Singlemode and Multimode (50/125, 62.5/125)
- Compact housing
- RJ-45 style latching system
- Color coded housing
- 900um enclosed fiber loop

Applications

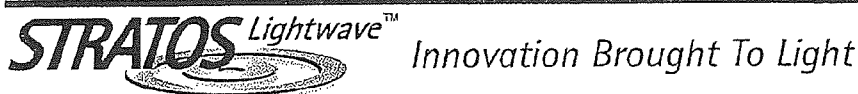
- Telecom
- Datacom
- CATV/Broadband
- LAN
- WAN

Materials

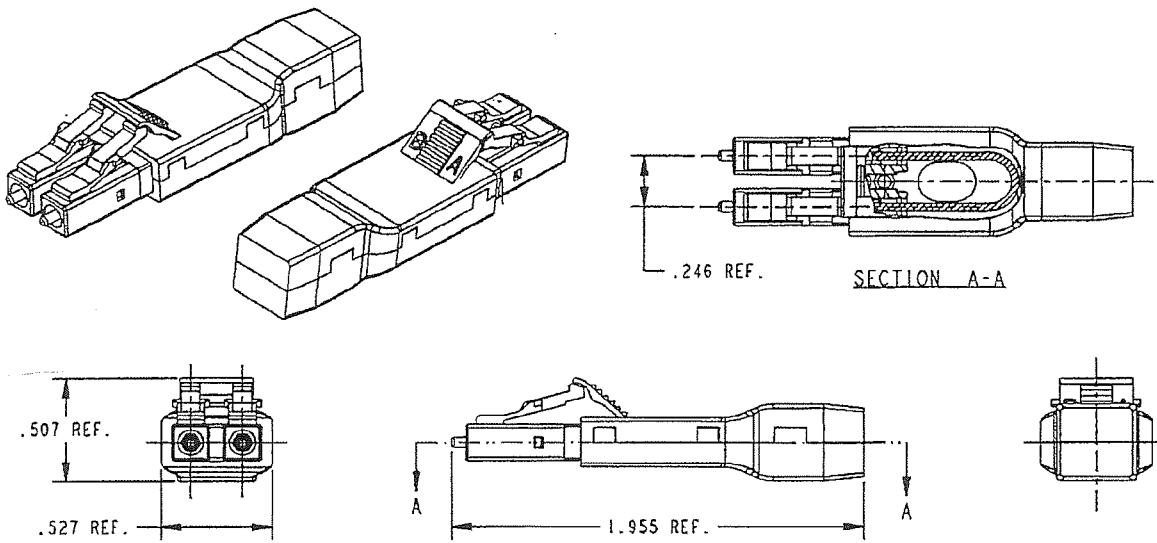
- **Body:** Thermopolymer
- **Ferrule:** SM-Ceramic MM-Polymer
- **Fiber:** 9/125, 50/125, 62.5/125

Performance

- Mating Durability (200 cycles)<0.2dB
 - Temperature Stability (-40°C to +85°C)<0.3dB
 - SinglemodeIL 3.0dB
 - MultimodeIL 1.5dB
- IL (Nominal)**



LC (SFF) SMALL FORM FACTOR LOOPBACKS



LC Loopback

Ordering Information

Part #	Description	Color	IL (NOMINAL)	IL (MAXIMUM)
LC5-201-05	Singlemode 9/125	Blue	IL 1.5dB	IL 3.0dB
LC5-103-03	Multimode 62.5/125	Beige	IL 1.5dB	IL 3.0dB
LC5-125-03	Multimode 50/125	Beige	IL 1.5dB	IL 3.0dB

Company Contact Information

North America

7444 W. Wilson Avenue
 Chicago, IL 60706 U.S.A.
 (708) 867-9600 Fax: (708) 867-9621
 (800) 323-6858
 www.stratoslightwave.com

Europe

Hollands Road Industrial Estate
 Haverhill, Suffolk, CB9 8PR
 United Kingdom
 +44 (0) 1440 706441
 Fax: +44 (0) 1440 762044



Innovation Brought To Light

7444 West Wilson • Chicago, IL 60706 • (708) 867-9600 • Fax: (708) 867-9621 • Toll Free: (800) 323-6858 • www.stratoslightwave.com

Form F05-0107